



Main Features:-

- ◆ 100064-BSPT, 100084-BSPP, 100083-NPT
- ◆ Stainless Steel Body from Bar Stock
- ◆ Stainless Steel Ball & Stem, POM Seat
- ◆ Rated 6000psi
- ◆ Temperature 0°C to 40°C

*Temperature and pressure determined by valve body, seat etc.



Suitable Applications & Approvals:



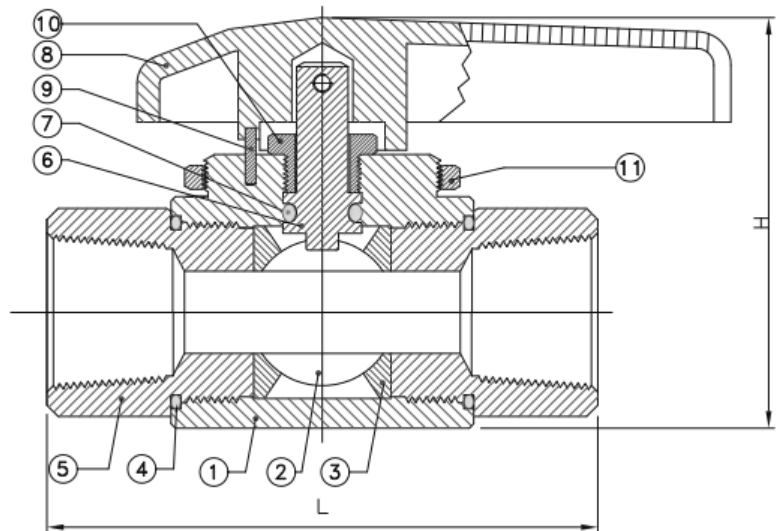
INDUSTRY

100064/100083/100084

MANUFACTURER: **AVOL**
INDUSTRIAL VALVES

No Name Materials

1	Body	AISI 316
2	Ball	AISI 316
3	Seal	PTFE/POM
4	O'Ring	Viton/Buna-M
5	Adaptors	AISI 316
6	Spindle	AISI 316
7	O'Ring	Viton/ Buna-M
8	Handle	Cast Steel
9	Lock Pin	AISI 316
10	Gland Nut	AISI 316



Size	L	H
1/4"	70	50
3/8"	72	50
1/2"	85	60

VALVE DIMENSIONS

ALL VALVES ONLINE

Offering a full range of actuated valve packages, manual valve range, pipe fittings and pumps, we have a product for all your requirements. As an ISO 9001-2015 Quality Approved and certified company, All Valves offer a quality service from pre-sale to post sale. Shipping millions of pounds in value of manual valve and actuated valve packages all over the world since its formation, All Valves are a trusted valve and actuator supplier to many companies all over the world. Working with the leading brands in most industries.

AllValves Online™ have used decades of experience in the valve industry to select a range of products that match the Allvalves Online ethos - value for money. All Valves Products are from reputable sources and have been sold in significant quantities for many years, are installed in a wide variety of applications, and are known to be durable in service.



T +44 (0)1386 552369

E sales@allvalves.co.uk

W www.allvalves.co.uk

F +44 (0)1386 554227